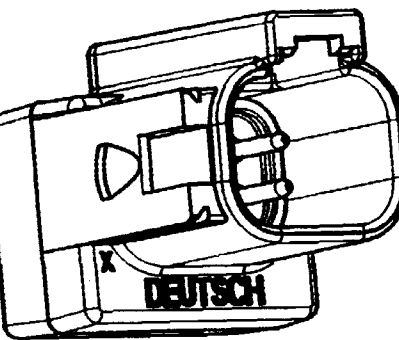
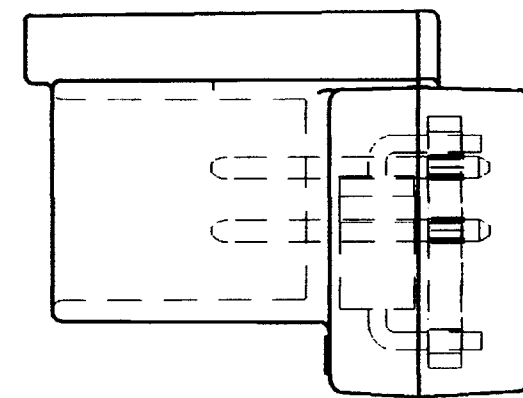
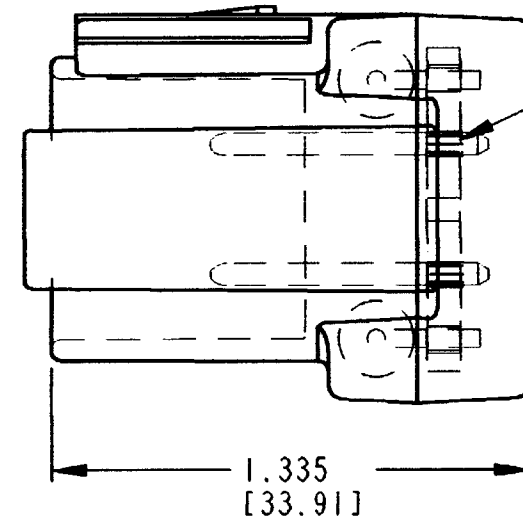
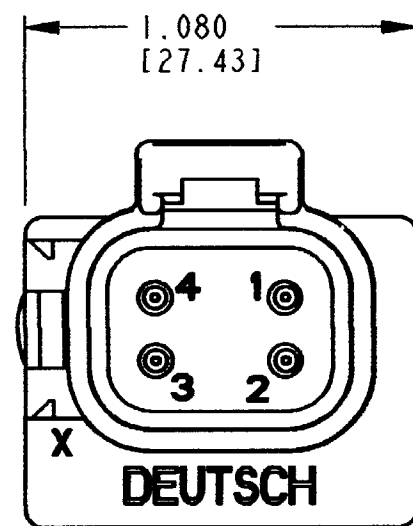
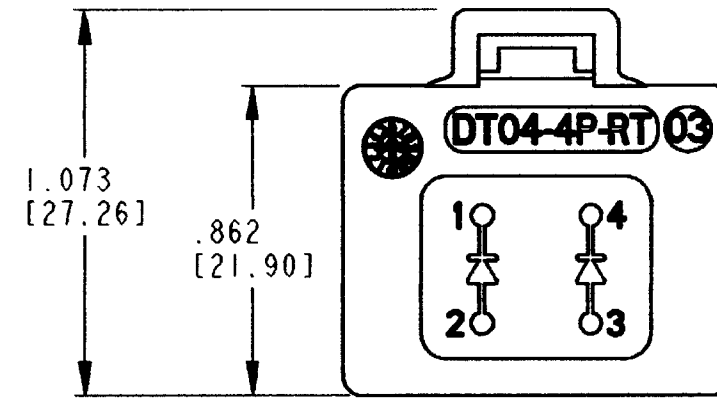


**CIRCUIT DIAGRAM**



**3D VIEW**  
SCALE 3:2



REV	DT04-4P-RT03	REVISIONS		
SYM	DESCRIPTION	DATE	APPROVED	
NC	NEW RELEASE PER E.O. P16943	11/9/00	C. WOODRUFF	
A	REVISED PER E.O. P19626	4-21-08	RDR	

- NOTES:
1. ALL DIMENSIONS ARE INCHES [METRIC].
  2. ALL DIMENSIONS UNLESS OTHERWISE SPECIFIED ARE  $\pm .025$  [.63].
  3. RECEPTACLE MATES WITH DT06-4S-\*\*\*\*.
  4. TEMPERATURE RANGE: -55°C TO +125°C.
  5. DIODE P/N: MUR460G.  
PEAK REVERSE VOLTAGE = 600.0 V MAX.  
PEAK FORWARD VOLTAGE = 1.28 V MAX.  
AVERAGE FORWARD CURRENT = 4.0 A MAX.  
CONSULT THE FACTORY FOR DETAILED SPECIFICATIONS.
  6. HOUSING COLOR TO BE GRAY.

SIGNATURE & DATE	
DR	M. Gonzalez 11/1/00
CHK	[Signature] 1/1/06
PE	[Signature] 6-7-07
APPD	[Signature] 8-28-07
SCALE	NONE WT

**4-WAY RECEPTACLE  
TERMINATOR  
DT SERIES**

ENVELOPE

EP	MATL. CODE
	3850 INDUSTRIAL AVE. HEMET, CA 92545
<b>DEUTSCH INDUSTRIAL</b>	
<b>B</b>	<b>DT04-4P-RT03</b>
DWG SIZE	CODE 11139 SHEET   OF